



VOLVO S90











WHY WE INNOVATE



Because you have a wave to catch
And a mountain to climb
Because you promised the kids to go skiing tomorrow
Because you need a break
And sometimes a brake
Because elks don't read road signs
And neither do cows or kangaroos
Because parallel parking should be a cakewalk
Because you appreciate beauty and craftsmanship
Because you love the feel of hand-stitched nappa
Because you like your coffee hot and your water chilled
Because you have blind spots
Because it's been a long day
And you deserve a massage from your car seat
Because you don't have eyes in the back of your neck
Because you want to be in control
Because you expect to be entertained
And informed
And occasionally pampered
Because you forgot where you parked
Because you would rather share than own
Because there are road works today
Where there were none yesterday
Because we want to impress you
And that isn't easy
Because you care about the future
Because we live on a finite planet with finite resources
Because you're human
Because time is not money, but life

WHEN WE INNOVATE, THE CAR IS NOT TOP OF MIND.

We admit it. You fascinate us. We think and talk about you all day. Everything about your life – its ups and downs, joys and disappointments, needs, demands, frustrations and hopes – captivates us.

So when we innovate, every detail – from service design right down to the teeniest screw – has to justify itself to you. Does it add anything? Is it useful?

All this time spent thinking about your life has allowed good things to happen. Perhaps you didn't know, but we have a vision that by 2020 nobody dies or is seriously injured in a new Volvo. Nice-sounding words? Not at all, it's realistic and achievable.

We know you live a rich, fulfilling life in almost every way. We say almost, because there's one commodity you seem to be short of. Time. So by 2025, we aim to pack every new Volvo with enough smart solutions to free up a whole week of quality time per year. 168 hours to do with as you please.

We also know you care about the future of the planet. That's why our Drive-E technologies allow you to drive sustainably – without compromising on performance. We know you want to stay connected to the world around you. Our Sensus solutions ensure you are. We know you always want to feel in control. Our IntelliSafe technologies not only help to save lives, but also give you more enjoyment behind the wheel.

And we know you're interested in self-driving cars. Each day we take pioneering steps in our quest to deliver a safe and relaxing autonomous driving experience. The same goes for fully electrified powertrains. And even smarter services.

We happily walk the extra mile to give you what you want.

You are why we innovate.



DESIGNED TO PERFORM, CRAFTED TO IMPRESS.

The luxury sedan, redefined.

When we designed our new executive sedan we had a single aim: to create a car that would redefine the idea of luxury. The result is the Volvo S90, a car that blends the best of Scandinavian design with advanced technology to give you a new experience, beyond the commonplace and everyday. A new kind of luxury. Swedish luxury.

The powerful, low-slung body, with the classic Volvo hallmark of a wide and muscular shoulder line, expresses the car's intent. It's confident and assured, the embodiment of a design philosophy that extends inside the car, where you'll discover a cabin crafted from exceptional materials such as Swedish crystal and flame birch.

In the S90, technology supports you without overwhelming you. With semi-autonomous driving technology that makes driving both safer and more enjoyable.

Underneath the crisply sculpted exterior lies a chassis that delivers the perfect combination of precise handling and first-class comfort.

Smart technology keeps you seamlessly connected with the car and the world around you. And with the very latest in safety innovations, you will travel safe in the knowledge that your S90 will keep a look out for you, your passengers and other road users.

Elegance, craftsmanship and technology – this is how a modern luxury sedan should be.



Classically Volvo, distinctly modern. Combining powerful proportions with Scandinavian subtlety elevates the S90 beyond the everyday. The long bonnet and low roofline suggest power and grace, while the sculpted shoulder line identifies the S90 as a Volvo.

Small details make a big impact. Fine detailing and bold shapes combine to create a strong impression. Integrated end pipes add to the design's coherence, while the shape of the LED rear lights gives the S90 real presence, whether moving or stationary.



DESIGNED FOR CONTROL.
Precision and accuracy at every touch.

From the moment you settle into the sculpted driver's seat you're in control. You sit low in the S90, it's 22.86 cm (9-inch) centre display with touchscreen angled towards you to create the feeling of a cockpit. You're surrounded by an environment where beautiful materials and advanced technology meet, creating a cabin that looks great and works perfectly.

The exceptional craftsmanship enhances the feeling of precision. Take the air vents, for example. With a metal-finish vertical strip and distinctive diamond-pattern surfaces for the control knobs, they are beautiful to look at and a pleasure to use. In the S90 every component moves with the accuracy afforded by fine engineering. It is a car that gives you control over every part of your journey.





EXPERIENCE A NEW WAY TO TRAVEL.

Travel first class in every seat, every day. Because when you're in the S90 you're in your own private lounge, a place where comfort and luxury combine with technology and craftsmanship.

It starts with the front seats. Sculpted to complement the human form, they provide superb support and a huge range of adjustment, so everyone can find the ideal seating position. The shape of the backrests increases legroom for passengers in the rear, and individually controlled heated rear seats mean everyone benefits from the same levels of comfort.

At night the cabin glows with the warmth of its interior lighting, welcoming you into the car. The optional high-level illumination package includes backlit door handles and illuminated tread plates, as well as additional interior lighting that enhances the exclusive ambience.

Our CleanZone technology helps ensure a healthy interior environment and clean cabin air. It filters dust, pollen, particulates and odours while monitoring the air quality and closing the intakes if pollutant levels rise too high. It happens automatically – all you need to do is set the temperature you want and the S90 does the rest.

The four-zone climate control allows rear seat passengers to choose their own settings using a dedicated touchscreen. It also includes an air-conditioned glove compartment that keeps its contents cool.

You'll appreciate the details that make your life easier and more pleasant. For the power operated boot lid there's a hands-free function, so you don't have to put down what you're carrying to open it. In the S90, technology and convenience go hand in hand.



In the driver's seat you're in charge. Control functions such as navigation and entertainment from the steering wheel buttons, while the 12-inch driver display keeps you informed.



Every element of the cabin is crafted to make form and function one. The door handles can be backlit, making them easier to find in the dark.



Beautiful, natural materials such as Linear Walnut complement the car's advanced technology, creating a uniquely contemporary look.

STAY CONNECTED AND IN COMMAND.

We create technology to serve you and make life easier. Everything that's complicated or doesn't add to your experience is removed.

You control your Volvo intuitively and easily. And seamlessly connected with the car and the world around you, you're in command of every aspect of your journey.

Instead of a multitude of physical buttons, you find a large, 22.86 cm (9-inch) centre display with touchscreen. It's as easy and straightforward to operate as your smartphone, with bold, clear graphics so you can keep your attention on the road. The touchscreen blends seamlessly with the car's clean interior design and is easily operated. You can even operate it wearing gloves.

Essential driving information is clearly presented in our 31.24 cm (12.3-inch) driver display. It adapts to your needs, preferences and surrounding light, so information is always shown on your terms.

For even better control, our head-up display projects vital driver information at a comfortable viewing distance. It looks like the graphics hover in front of the car, which allows you to stay informed without taking your eyes off the road.

Your Volvo also listens to you. Keep both hands on the steering wheel and speak naturally: our voice control will carry out your command to operate climate control, navigation, entertainment and your smartphone.

In a Volvo, you and your car act as one.



Sensus Navigation:

Let Sensus Navigation guide you, inform you and help you find the best route. Road directions are clearly shown in the driver display, centre display and head-up display. Touchscreen controls allow you as well as your passenger to operate the system conveniently and safely. Or talk naturally to your Volvo, and let our voice control carry out your commands while you have full attention on traffic.

FEEL THE MUSIC.

Inside the cabin of your Volvo you can enjoy an audio system designed to put you closer to the music you love, wherever you're seated.

All our audio systems are tailored to the acoustics of your Volvo. Our audio philosophy is very simple: it's all about the soul of music, not the number of speakers or watts. And together with the audio specialists at Bowers & Wilkins and Harman Kardon®, we have created some of the best-sounding audio systems in the class.

Our new audio system, Harman Kardon® Premium Sound, delivers a beautifully balanced, powerful sound. This immersive experience is enabled by 14 hi-fi speakers including an air-ventilated subwoofer that produces a bass sound you'll feel in your body.

If you're truly passionate about music, the Bowers & Wilkins audio system will take the experience to an even higher level. The 19 separate high-end speakers – including a tweeter on top centre speaker that minimises acoustic reflection from the windscreen and our unique air-ventilated subwoofer – will surround you with a powerful, pristine sound that feels more spacious and true to life than ever.

It's all about music and making it possible for you to experience it just as it was intended when it was created.



Harman Kardon® Premium Sound is developed together with the hi-fi specialists at Harman Kardon®. Powered by a 600W digital amplifier, the 14 speakers are tailored to the acoustics inside your Volvo and deliver a powerful, high fidelity surround sound experience. A unique sound processing software – Dirac® Unison Tuning – optimises the response of each individual speaker as well as the speakers all together to ensure they perform in perfect harmony. So wherever you're seated, you and your passengers can enjoy a seamless first-class listening experience in all conditions and – not least – an extremely unified and tight bass sound.



Our Bowers & Wilkins audio system integrates seamlessly with the cabin architecture of your Volvo to deliver the most realistic immersive sound possible. Innovative audio processing technology with three room modes allows you to recreate the acoustics of a specific room inside your Volvo, bringing you even closer to the music. And to enable extremely low and undistorted bass tones, the air-ventilated subwoofer uses innovative technology that allows it to pulse large amounts of air, actually turning the cabin into one big woofer.



Smartphone integration: Use your smartphone in a smarter way. Via Apple CarPlay™ or Android Auto™, you simply integrate the familiar functions and interface of your smartphone* with the car's centre display. You can enjoy music, make calls and send messages easily via the car's touch screen, steering wheel buttons or voice control.

*Supports iPhone® (5 or later) or Android smartphones (5.0 Lollipop or later).

Intuitively connected: You operate the audio system and hands-free phone easily using the touch screen controls, steering wheel buttons or voice control. Bluetooth® connection also allows convenient streaming of music via your phone.

PILOT ASSIST. DESIGNED TO MAKE DRIVING SAFER AND EASIER.

Our latest advances in semi-autonomous driving technologies allow you to enjoy smooth, intuitive driving from standstill up to motorway speeds.

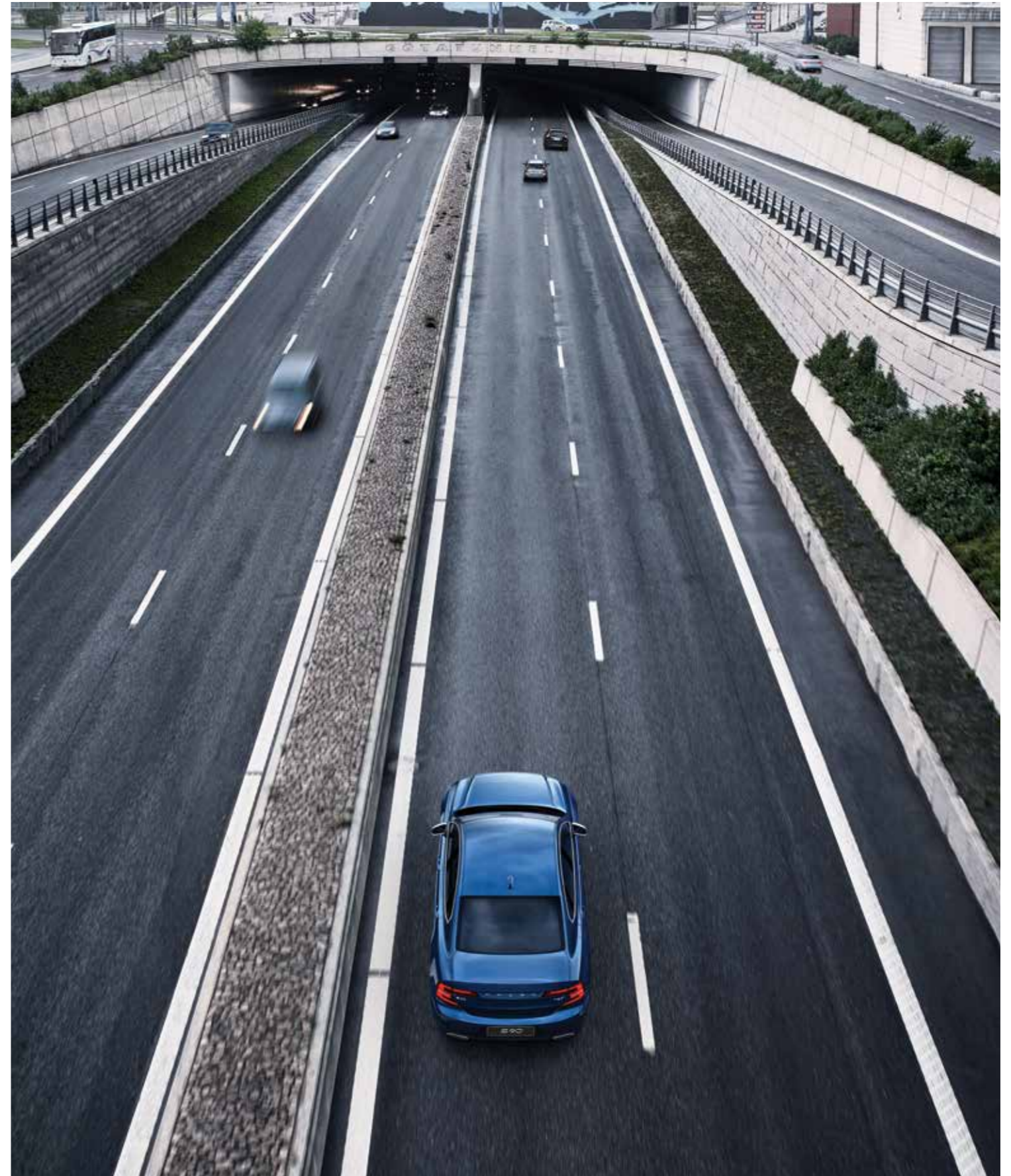
To make driving in demanding traffic less stressful, we created Pilot Assist and Adaptive Cruise Control. This means your Volvo automatically helps you maintain a safe distance from the car in front of you by adapting your speed while helping to keep you centred in the lane by automatically making small steering adjustments. It's intelligent too: using map data from the car's navigation system, the car identifies hills ahead and adapts the speed to help optimise your comfort and safety.

This technology also makes driving in stop-and-go traffic more effortless. Maintaining the set distance, your car follows the car ahead of you and brakes automatically to full stop when needed.

And if the car in front just makes a short stop, your car starts following it as it takes off again.

This is driving made safe and easy, with the aim to optimise your control, comfort and convenience.

Please note: The driver is always responsible for how the car is controlled; the functions described here are only supportive.



CITY SAFETY TECHNOLOGY. YOUR PRO-ACTIVE PARTNER ON THE ROAD.

With advanced pro-active safety technology we add extra power to your senses and enhance the confident feeling of being in control.

At the heart of our safety technologies is City Safety. By helping you to keep a lookout and brake or steer away if necessary, it makes driving more enjoyable while helping to prevent accidents.

City Safety can identify other vehicles, pedestrians, cyclists and large animals ahead of you, even at night. It warns you if needed and can brake automatically to help you avoid a collision or reduce the impact. And our advanced Oncoming Mitigation by Braking technology – a Volvo safety world first – can detect if there's another vehicle driving towards you and brakes automatically to help mitigate the impact.

Your Volvo can also support if you're forced into a rapid evasive action at speeds between 50 and 100 km/h. As you begin to steer away, City Safety can help you do it as effectively and safely as possible by braking the inner wheels individually and reinforcing your steering input.

City Safety is simply your perfect co-pilot: pro-active when it's needed, and staying discreet in the background during the rest of the time.



Oncoming Mitigation by Braking
A Volvo Cars safety world first. This innovation can detect vehicles heading towards you on the wrong side of the road. If a collision can't be avoided, it will brake your car automatically to help reduce the effect of a collision.



Oncoming Lane Mitigation
Using automatic steering assistance, this system helps you avoid collisions with oncoming vehicles. If you drift across the lane markings in the way of an oncoming vehicle, your car steers back.



Lane Keeping Aid
If you're about to cross a lane marking unintentionally, the Lane Keeping Aid will gently steer your car back into its lane. If this is not enough or you keep steering across the lane markings, you'll be alerted with vibrations in the steering wheel.



Run-off Road Mitigation
Stay safely on the road with this Volvo Cars safety innovation. If Run-off road Mitigation detects you're about to leave the road unintentionally, it uses steering input and, if necessary, brake support to guide you back on track.



BLIS™ with Steer Assist
BLIS™ alerts you when a vehicle enters your blind spot or approaches fast from behind. If you nonetheless drift into the path of another vehicle, BLIS™ can gently steer you back into your lane.



Full-LED Active High Beam Illumination
To give you the best view, our Full-LED headlights allow you to drive with high beam on all the time, without dazzling others. It detects road users ahead of you and automatically shades the part of the high beam that would dazzle them.

PERFECT PARKING, EVERY TIME.

In a Volvo, you can enjoy smooth parking.

When parking, you're supported by front and rear park assist functions that alert you if there are obstacles in your way. And with our 360° camera, you get a detailed bird's eye view of the area surrounding your Volvo – a great help when you reverse or manoeuvre in confined areas with impaired visibility.

If you want, our Park Assist Pilot can park the car for you. It measures the parking space, and if the space is at least 1.2 times the length of your car it can park by taking over the steering. Park Assist Pilot handles both parallel and perpendicular parking, and can also assist when leaving a tight parallel parking space.

And to make it easier when you reverse out of a parking space, Cross Traffic Alert helps you keep a lookout on approaching vehicles in your blind sectors.



360° camera

The 360° camera uses images from discreetly mounted cameras to create a bird's eye view of your car and its closest surroundings. In the centre display, you can see obstacles all around you, which makes it easier to park and manoeuvre in tight spaces.





PROTECTING WHAT'S MOST IMPORTANT.

Protecting you and your passengers has always been at the heart of every car we make, and the advanced safety features in your Volvo are the result of decades of passionate innovation.

In a Volvo, it's the interaction between all the safety features that determines how efficiently the car will protect you and your passengers in a collision. Everything, from the design of the seats to the surrounding safety cage and the safety belts and airbags, works together to help minimise the strain on all occupants and maximise protection.

The front seats not only provide world-class comfort. They are also designed to protect you in the event of an impact. Our unique

whiplash injury protection helps protect your back and neck if your car is hit from behind. And in a run-off road scenario, the energy-absorbing front seat structure will help protect your spine in a hard landing, should the car become airborne.

Your Volvo can even sense and prepare for impact. The optional prepared front safety belts tighten automatically if the car detects that a collision is likely, to ensure you're in the safest position should one occur.

It's this range of safety technologies and attention to detail that makes your Volvo a safe place to be.



Crash-absorbing front seats

The sculpted front seats in your Volvo are more than just beautiful to look at. Their unique structure helps to absorb vertical impacts, helping to protect your spine if the car lands heavily after leaving the road. It's another example of how we make every part of a Volvo work harder for your safety.

Volvo safety cage

The passenger compartment uses a high percentage of ultra high-strength boron steel to create a protective cage around everyone inside the car, while front and rear deformation zones help dissipate the crash energy. The safety belts and airbags work together to cushion you and your passengers in a controlled fashion.



Child safety

At Volvo Cars we've spent decades continually researching and improving child safety. Our unique approach includes creating and carrying out tests based on real-life traffic situations, as well as testing our child seats alongside our cars. With our latest range of child seats, we offer unparalleled protection.

*Available as accessory.

ENJOYING MORE, USING LESS.

With the perfect balance between performance and efficiency, every Volvo powertrain gives you a great drive with low fuel consumption and reduced emissions.

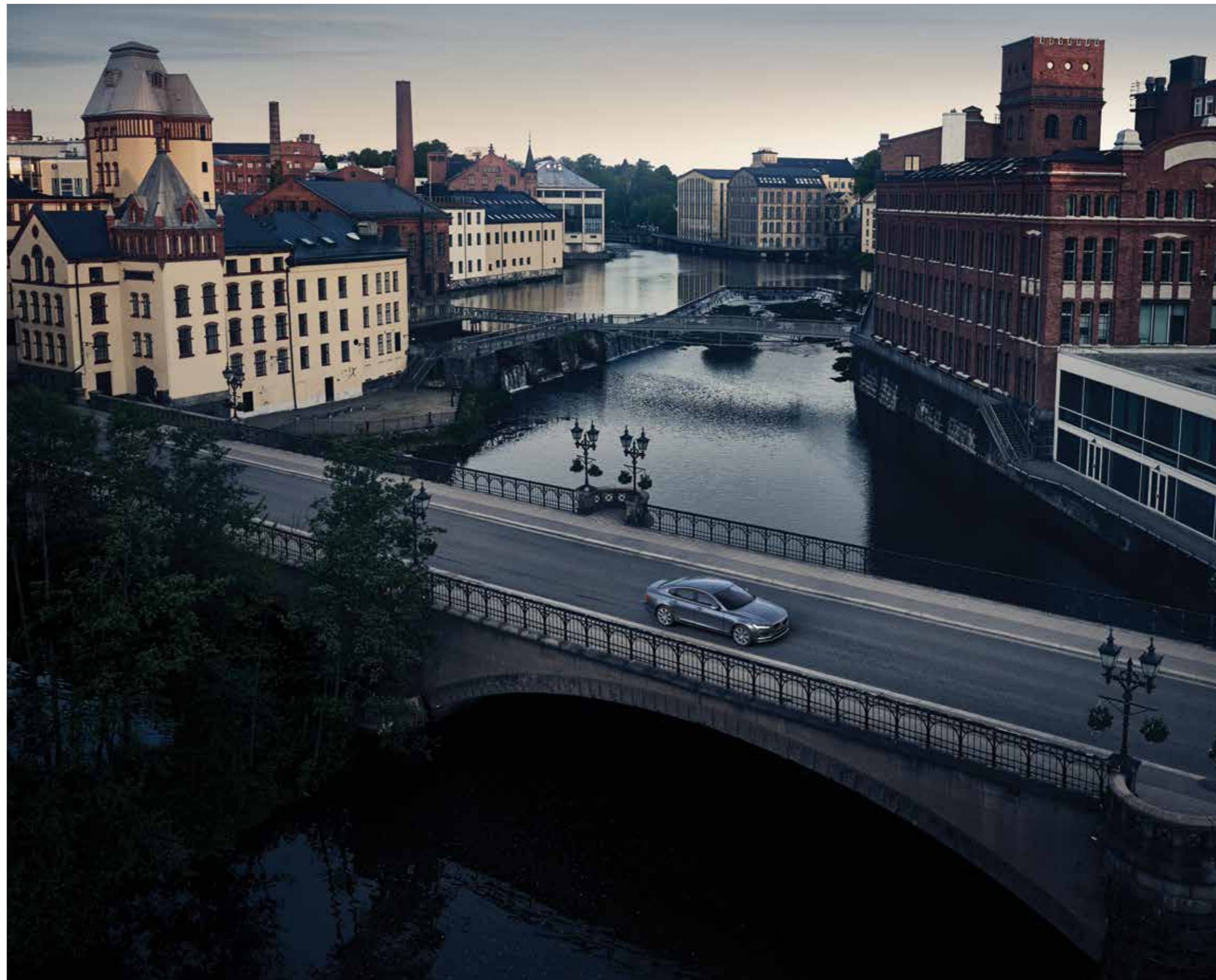
The combination of lightweight, low-friction engine design and advanced boosting technology allows you to enjoy outstanding performance and a smooth, agile driving experience. Smaller engines lose less energy through friction so they can make every drop of fuel work harder to minimise emissions. We've used low-friction components to make them run smoother and more efficiently. Reduced size and weight also frees up interior space and contributes to the car's dynamic handling.

With 190 HP D4 diesel engine, the S90 is quiet, smooth and gives you a relaxing journey. In our diesel engines, the i-ART injection technology precisely meters the right amount of fuel for each cylinder to make the engine run smoother while using less fuel. And to help minimise health-impairing emissions, the latest generation emission control with Selective Catalytic Reduction reduces emissions of nitrogen oxides (NO_x) by up to 90%.

Designed to minimise power loss and maximise performance, 8 Speed Geartronic™ Automatic gearbox will always select the right gear for whatever is coming next, or you can choose to change gear yourself in manual mode.

The powertrain can also adapt to the mood you're in. Select Comfort, Eco, Dynamic or Individual mode with our drive mode control, and the powertrain, steering and optional active chassis will adapt instantly to your preferences.

Whichever powertrain you choose for your Volvo, you will enjoy the benefits of responsive power and uncompromised efficiency – simply a great drive.





DRIVEN TO PERFECTION.

We designed the S90 from the ground up for precision and comfort. That's why the sophisticated suspension gives you the best of both worlds. Accuracy and precision when you want it, backed up by comfort and technology to make every drive enjoyable.

Double wishbone front suspension works in harmony with integral link rear suspension to give you precise control over the car. With our active chassis with rear air suspension, your S90 will compensate for loads while adapting the chassis to the road and driving conditions for an even better ride. Advanced driver aids such as stability control and understeer control logic keep the S90 stable, improving the way it handles corners.

As an option, you can choose between four drive modes that allow you to tailor the car's behaviour to your mood and find the perfect setting for the road you're on. Altering the engine, gearbox, accelerator and steering response changes the way the car behaves and, with the optional active chassis with rear air suspension, how it rides and handles.

And when you come to a stop, the S90 helps you to get going again. Hill Start Assist makes pulling away on an incline effortless by holding the car on the brake until you press the accelerator. Auto Hold keeps the brakes on after you've released the pedal, so you can let the car do all the work in stationary traffic.



Discover superior comfort and handling with our optional active chassis with rear air suspension. It soaks up poor road surfaces and keeps the ride height constant so the car responds how you want it to. Active chassis technology allows you to change the way the S90 rides and handles.



YOUR JOURNEY BEGINS HERE.

We created the S90 with one single purpose: to provide you with a car that perfectly fits you and your lifestyle. A car that meets your expectations of a dynamic drive with refined comfort and sophisticated design – built with care for people and the world we share. A car that's intuitive to use and makes life less complicated, and is a pleasure to live with every day.

At the heart of your S90 is a dynamic, efficient powertrain. Which-

ever you choose, you will enjoy our latest Drive-E technology that gives you instant response and a smooth ride. Fuel consumption and CO₂ emissions are kept low, and our powertrains already comply with future exhaust emission legislation.

D4

Our sophisticated 190hp/400Nm D4 diesel powertrain allows you to enjoy more while using less. Available with our responsive 8-speed Geartronic™ automatic, the D4 is designed to give you the most efficient and confident driving experience.

NB. The engine programme may vary from country to country. Please talk to your Volvo Car dealer for the latest information.



Volvo S90 Momentum
The high level of standard equipment meets your demands on style, comfort and safety.



Volvo S90 Inscription
The highly sophisticated expression of Swedish luxury.

CREATE THE VOLVO S90 OF YOUR CHOICE.

Our approach in everything we do is to always put people first. This also includes allowing you the freedom to create a Volvo that perfectly matches your style and personality.

To ensure you get your S90 exactly as you want it, we have created a wide range of options, trim levels and personal expressions. Already as standard, the S90 Momentum provides you with the poise and

technology you need as a discerning driver. Maybe you want to indulge your senses in the finest Swedish luxury? Then you'll feel at home with S90 Inscription. Whatever you prefer, you can rest assure there's a Volvo S90 for you. Read on, and see what your S90 will look like.

NB. The trim levels may vary from country to country. Please talk to your Volvo Car dealer for the latest information.

VOLVO S90 MOMENTUM. THE RIGHT EQUIPMENT FOR YOUR DRIVE.

Choosing a Volvo S90 Momentum is easy. This standard equipment level will provide you with a high level of technology that will meet high demands on style, comfort and safety. For example, you can enjoy the control provided by our 53.34 cm (12.3-inch) driver display and Sensus Connect with enhanced connectivity – such as the intuitive operation of our 9-inch centre display with touchscreen and voice control – and the clear sound reproduction of our Harman Kardon audio system. Our electronically-controlled dual 4-zone climate system ensures you and your passengers can enjoy a comfortable cabin climate in all temperatures – the driver and front seat passenger can

adjust the temperature to suit individual preferences. And of course: you get our world-leading IntelliSafe technologies including the award-winning City Safety collision avoidance technology, Lane Keeping Aid, Run-off Road Mitigation, Oncoming Lane Mitigation and IntelliSafe Assist with semi-autonomous driving technologies such as Adaptive Cruise Control and Pilot Assist as standard.

Our signature headlights with LED illumination together with bright deco exterior design elements and stylish 43.18 cm (17-inch) alloy wheels will add to the exclusiveness of your S90.

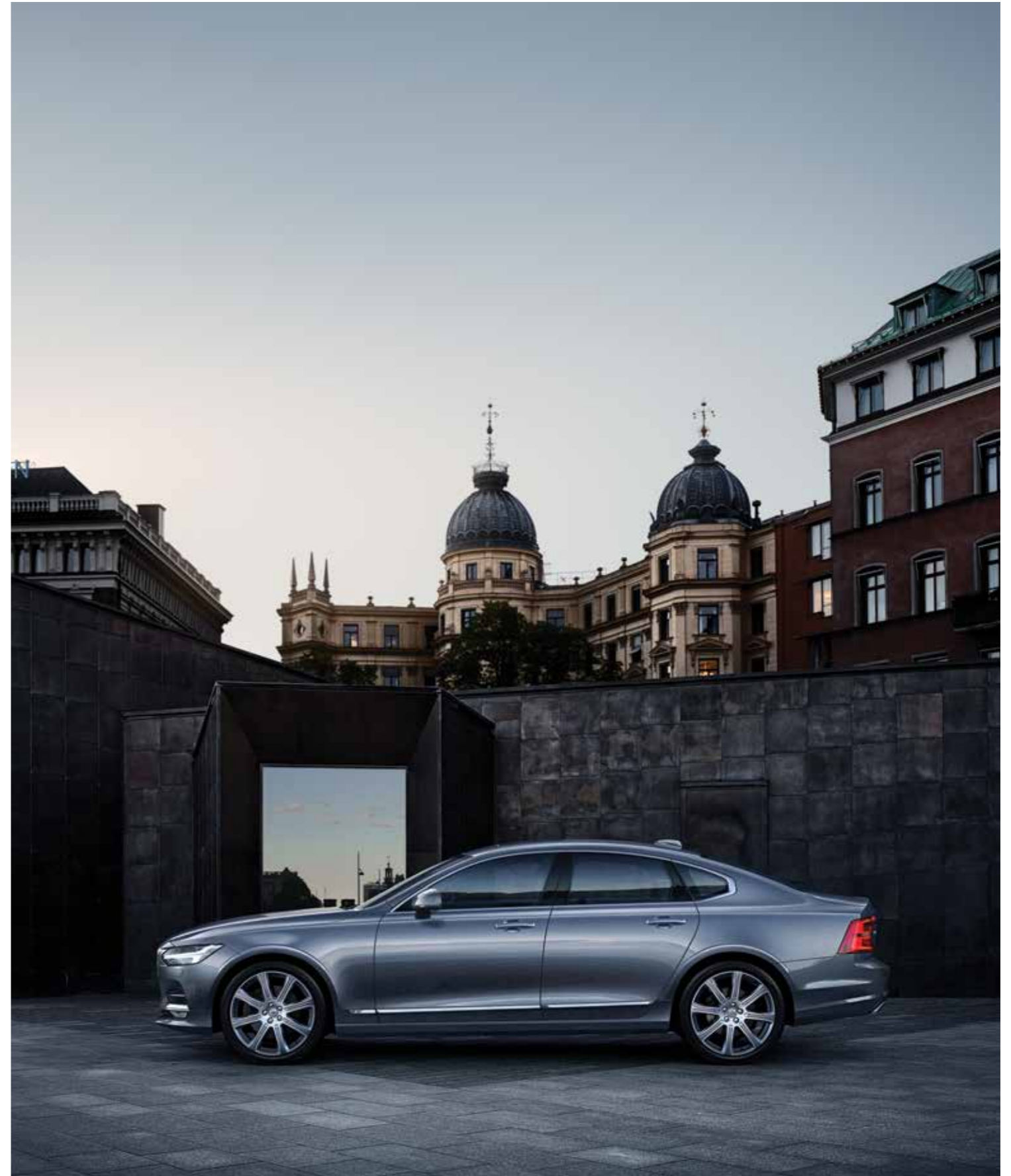


Inscription

A HIGHER GRADE OF LUXURY.

We created the exclusive S90 Inscription to meet your highest expectations on Swedish luxury. It's a highly personal expression that evokes a strong sense of elegant refinement. Each detail is carefully selected to give you and your passengers a sophisticated and invigorating experience. Distinguished exterior design cues enhance the luxurious look and feel of the S90, while the metic-

ulously crafted interior gives you ample room for a relaxed driving experience. The S90 Inscription epitomises our proud heritage of human-centric design. And when it comes to intelligent luxury imbued with distinctive style and fresh thinking, the S90 Inscription is in a class of its own – just like you.



ACCESSORIES. YOUR S90, YOUR WAY.

Make the S90 your own with Volvo styling accessories; the perfect addition to your new car. Choose the exterior styling package with chrome inserts for an even more elegant look. Or enhance the dynamic character of your S90 with our exterior styling package with body-

coloured inserts. And especially for your S90 R-Design, we've created an exterior styling kit with glossy black inserts that adds to the car's exclusive appearance. You can also select individual components as separate accessories.



53.34 cm (21-inch) 5-double spoke Matt Black Diamond Cut alloy wheels

R-Design exterior styling package with glossy black inserts. Designed to perfectly complement your S90 R-Design, this exterior styling package with high-gloss black inserts allows you to create an exclusive, individual look. The front spoiler combines with the sill mouldings to emphasise the car's low-slung profile, while the split end pipes create an even more powerful appearance. A boot lid spoiler maximises high-speed stability and makes your S90 R-Design look even more dynamic. This exterior styling kit is also available with body-coloured inserts. The optional 53.34 cm (21-inch) 5-double spoke alloy wheels in Matt Black Diamond Cut add to a superior road presence.



721 Mussel Blue Metallic | Exterior styling kit with body-coloured inserts | 53.34 cm (21-inch) 5-spoke Fan Silver Bright alloy wheels



Exterior styling package with body-coloured inserts. A front spoiler and sculpted side sill mouldings with body-coloured inserts accentuate the car's low stance, while a boot lid spoiler hints at the potential performance. Integrated dual split end pipes and a body-coloured rear diffuser create an even more purposeful appearance. The optional 53.34 cm (21-inch) 5-spoke Fan wheels give the S90 even more presence, whether it's moving or standing still.



714 Osmium Grey Metallic | Exterior styling package with chrome inserts | 53.34 cm (21-inch) 10 open-spoke Turbine Tinted Silver Diamond Cut alloy wheels



Exterior styling package with chrome inserts. The front spoiler lip adds definition to the front end, while the chrome insert highlights the car's width. A boot lid spoiler makes the S90 look even more dynamic, and the sill mouldings emphasise the car's sporty, low-slung profile. At the rear, a body-coloured rear diffuser and integrated dual split end pipes give the car a powerful presence. The optional 53.34 cm (21-inch) 10 open-spoke Turbine wheels add to the car's elegance and a more powerful visual statement.

DESIGNED FOR YOUR LIFE.

Create an S90 that's perfect for your life, with Volvo accessories that are designed around you and your car.

Our Media Server allows passengers to enjoy large amounts of stored entertaining content via their mobile devices, especially comfortable combined with our sleek iPad® holder. Discreet, slim sunshades provide protection from heat and glare and are integrated into the elegant cabin, retracting neatly when not needed.

The remote control can be personalised to match, or contrast, your car's interior trim, with different exterior casings in genuine

wood or leather. Our child seats combine comfort with state of the art safety and are designed to fit perfectly into your Volvo. Made from Wooltextile, which is 80% wool, they're durable and tough but also soft and breathable, so your children stay comfortable and safe. Our exclusive booster cushion in genuine Leather and soft Nubuck Textile with adjustable backrest allows a child to travel in comfort safely restrained by the car's safety belt. We apply the same stringent standards to our child seats as we do to building our cars, so you know your children are well protected.



1



2



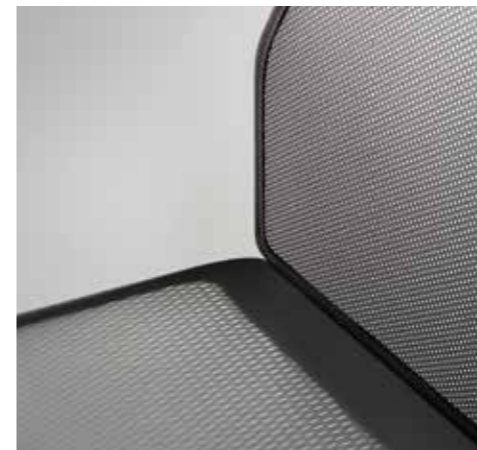
3



4



5



6



7



8

1. Child seat, booster cushion with backrest, Leather/Nubuck Textile. 2. Child seat, booster seat. 3. Child seat, rearward facing. 4. Child seat, infant seat.

5. Media Server and iPad® holder*, rear seat. 6. Sunshades. 7. 53.34 cm (21-inch) 10 open-spoke Turbine wheels. 8. Floor mats, moulded plastic.

* Available later 2018.

BUILT TO WORK.

Make the S90 work for you with Volvo Cars' range of exterior accessories, designed to look good and work flawlessly. Made from tough, high-quality materials they're built to withstand the kind of punishment meted out by Sweden's winters.

Take advantage of our range of roof-mounted accessories by adding our low-profile load carriers. Easy to fit onto the car's prepared mounts, they instantly allow you to fit our load carrier accessories, from the ski rack to the canoe holder. Our lightweight roof box fits straight onto the load carriers, adding 350 litres to the car's carrying capacity. Ideally suited to carrying skis (and capable of carrying up to six pairs) its Quick-grip mountings allow you to fit the roof box easily and conveniently. Neat touches such as LED lighting in the lid, to help you load in the dark.

A set of Volvo-designed mud flaps deflects road grime and dirt from the car's bodywork and reduces the effects of spray on following traffic.

The electrically folding tow bar gives you the ability to tow and folds discreetly away when not in use. A press of a button inside the load compartment, and the tow bar folds out – all you have to do is lock it into position with one click. If the tow bar is not locked in position or if any of the lights on the trailer cease to function, you'll be alerted in the car's driver display.

Your Volvo Cars dealer can also offer a wide range of winter wheels for safe driving during the wet and cold season.



1



2



3



4



5



6



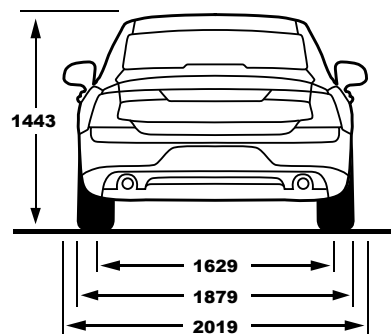
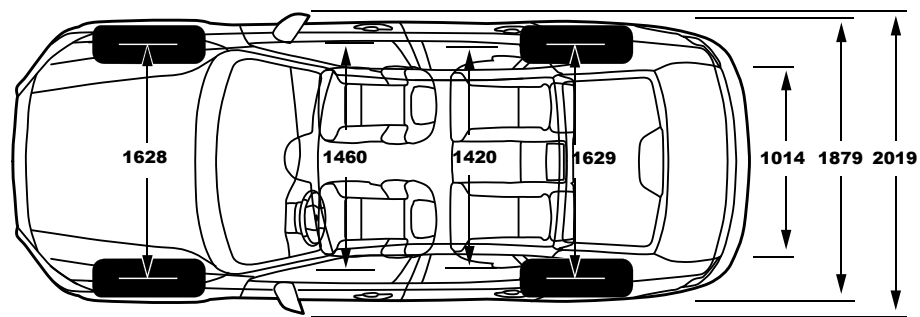
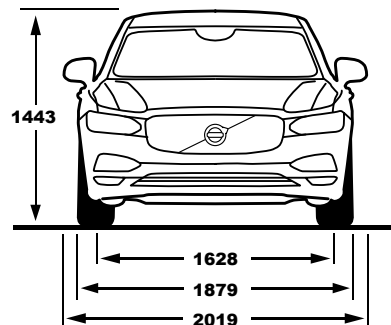
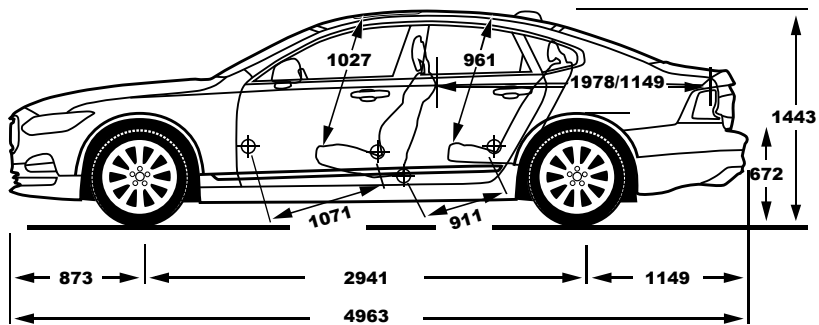
7



8



9



Please note: Some of the information in this brochure may be incorrect due to changes in product specifications that may have occurred since printing. Some of the equipment described or shown may now only be available at extra cost. Before ordering, please ask your Volvo Cars dealer for the latest information. The manufacturer reserves the right to make changes at any time and without notice to prices, colours, materials, specifications and models.



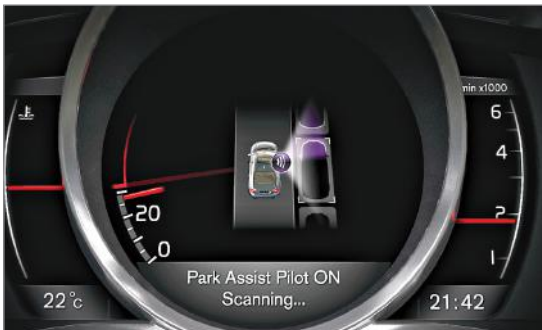
S90 KEY FEATURES



ACTIVE CHASSIS WITH REAR AIR SUSPENSION



POWER OPERATED TAILGATE



PARK ASSIST PILOT



PREMIUM SOUND BY BOWERS & WILKINS



LEATHER DASHBOARD



HEAD-UP DISPLAY



APPLE CARPLAY™



START-STOP KNOB



360 DEGREE CAMERA



PILOT ASSIST



22.86 CM (9 INCH) TOUCHSCREEN



POWER CUSHION EXTENSION



POWER ADJUSTABLE DRIVERS SEAT WITH MEMORY

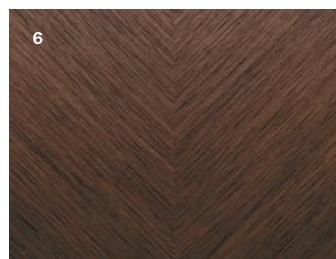
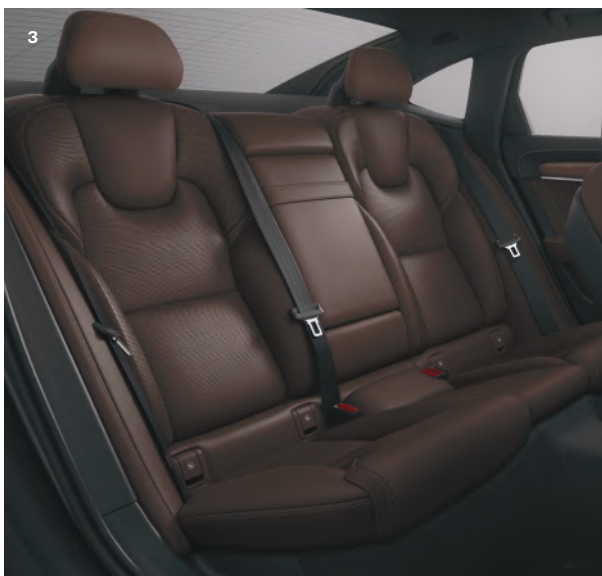


BLIND SPOT INFORMATION SYSTEM

Some of the information in this leaflet may be incorrect due to changes in product specifications that may have occurred since printing. Some of the equipment described or shown may now only be available at extra cost. Before ordering, please ask your Volvo dealer for the latest information. The manufacturer reserves the right to make changes at any time and without notice to prices, colours, material, specification and models. Shot outside India with left-hand drive car.



S90 SPECIFICATION SHEET



UPHOLSTERIES

1. Leather Maroon Brown in Charcoal Interior (RA30) - (Available in Momentum)
2. Leather Amber in Charcoal Interior (RA20) - (Available in Momentum)
3. Leather Fine Nappa Perforated Maroon Brown in Charcoal interior (RC30) - (Available in Inscription)
4. Perforated Nappa Leather Amber in Charcoal interior (RC20) - (Available in Inscription)

INLAYS 5

5. Linear Walnut decor inlays
6. Dark Flame Birch Decor

*Kindly check with your local authorised Volvo Cars dealer on the exterior colour, upholstery and wheel option available for your car.

ENGINE VARIANT	D4 MOMENTUM	D4 INSCRIPTION
TECHNICAL DATA		
Capacity (ccm)	1969	1969
Max output in hp	190	190
Max torque in Nm	400	400
Ground clearance (unladen) mm	152	152
Fuel Type	Diesel	Diesel
CLIMATE		
4-zone Electronic Climate Control incl. Cooled glove box	S	S
CleanZone (AQS)	S	S
Sun blind, rear side door windows	S	S
Electrical sun curtain, rear windscreen	-	S
Power sunroof	S	S
Heated windscreen washer nozzles	S	S
LOCKING AND SECURITY SYSTEMS		
Basic Alarm	S	S
Interior motion sensor for Alarm	S	S
Inclination sensor for Alarm	S	S
Lock cylinder glovebox	S	S
Key remote control standard	S	-
Key remote control Inscription, leather clad	-	S
Keyless entry with remote tag & handsfree tailgate opening	S	S
Private locking	S	S
Power child lock, rear side doors	S	S
Laminated windows	S	S
INSTRUMENTATION		
31.24 cm (12.3 inch) Driver Display	S	S
SEATS		
Leather upholstery	S	-
Nappa leather upholstery	-	S
Power adjustable drivers seat with memory	S	S
Power adjustable passengers seat with memory	S	S
Power adjustable side support	-	S
4 way power adjustable lumbar support	S	S
Power cushion extension driver side	S	S
Power cushion extension passenger side	S	S
Backrest massage, front seats	-	S
Heated rear seats	-	S
Power fold of rear backrest from tailgate opening	-	S
Power folding rear headrests	-	S
Centre armrest with cupholders and storage	S	S
INTERIOR		
Linear Walnut decor inlays	-	S
Dark Flame Birch decor inlays	S	-
Standard colour on headlining/ceiling	S	S
Illuminated vanity mirrors in sunvisor LH / RH side	S	S
Parking ticket holder	S	S
Leather upgrade on dash board	-	S
Leather Steering wheel with unideco inlays, 3 spoke	S	S
Leather gear lever knob with uni deco	S	S
Cigarette lighter / Ashtray	S	S
12 volt outlet, in rear/lower tunnel consol	S	S
Automatically dimmed inner and exterior mirrors	S	S
Carpet kit, textile	S	-
Carpet kit, textile Inscription	-	S
Sillmoulding 'Volvo' metal	S	-
Sillmoulding 'Volvo' metal illuminated	-	S
Interior illumination high level	-	S
LUGGAGE COMPARTMENT		
Temporary sparewheel T125/80R18	S	S
Jack	S	S
Power Operated Tailgate / Boot lid	-	S
Netpocket in cargo area	S	S
Cargo opening scuff plate - plastic	S	S
First aid kit & Warning Triangle	S	S
Body Cover	S	S

MODEL VARIANT	D4 MOMENTUM	D4 INSCRIPTION
EXTERIOR		
Standard grill 'high gloss' pianoblack	S	-
Inscription grill	-	S
Bright decor side windows	S	S
Fully colour adapted sills and bumpers	-	S
Colour coordinated door handles with Illumination and Puddle lights	S	S
Dual integrated tail pipes	-	S
Dual visible tail pipes with chrome sleeves	S	-
Colour coordinated rear view mirror covers	S	S
Retractable rear view mirrors	S	S
Foglights in front spoiler	S	S
LED headlights with automatic bending	S	S
Headlight high pressure cleaning	S	S
EBL, Flashing Brake Light and Hazard Warning	S	S
SUPPORT SYSTEMS		
Adaptive Cruise Control	S	S
Pilot Assist	S	S
Collision Mitigation Support, front	S	S
Lane Keeping Aid	S	S
Blind Spot Information System with Cross Traffic Alert	-	S
Collision Mitigation Support, rear	-	S
360° camera	-	S
Reversing Camera	S	-
Park Assist Pilot + Park Assist Front and Rear	S	S
Personal settings, power steering	S	S
Drive mode settings	S	S
Hill Start Assist	S	S
Rainsensor	S	S
Graphical Head Up Display	-	S
SAFETY		
Airbag, Driver & Passenger	S	S
SIPS airbags	S	S
Inflatable curtains	S	S
Whiplash protection, front seats	S	S
Pretensioners, front / rear all positions	S	S
Cut-Off Switch Passenger AirBag	S	S
Isofix - outer position rear seat	S	S
Emergency Brake Assist, EBA	S	S
High positioned rear brake lights	S	S
Intelligent Driver Information System (IDIS)	S	S
AUDIO, NAVIGATION & TELEMATICS		
Premium Sound audio by Bowers and Wilkins	-	S
Harman Kardon Premium Sound	S	-
Remote control buttons in steering wheel	S	S
USB & Bluetooth connection	S	S
CD player in centre console storage	S	S
Subwoofer	S	S
Navigation	S	S
Speech function	S	S
CarPlay (iPhone and Android)	S	S
TRANSMISSION		
Automatic 8-speed FWD	S	S
ENGINE INSTALLATION		
Fuel tank 55 litres	S	S
Speed limit 230 km/h	S	S
CHASSIS & WHEELS		
Four Chassis with Air suspension, 2 corner	-	S
Dynamic Chassis	S	-
45.72 cm (18 inch) - 10 spoke - Silver - Diamond cut alloy wheel	-	S
43.18 cm (17 inch) - 7 spoke Silver alloy wheel	S	-
Tire Pressure Monitoring System (TPMS)	S	S

VOLVO S90

EXTERIOR COLOURS, TRIM LEVEL, UPHOLSTERIES AND ALLOY WHEELS

AVAILABLE ONLY IN INSCRIPTION



467 - MAGIC BLUE

AVAILABLE IN BOTH INSCRIPTION AND MOMENTUM



707 - CRYSTAL WHITE



717 - ONYX BLACK



721 - LIQUID BLUE METALLIC



45.72 cm (18 inch)
10 Spoke Turbine Silver Bright



43.18 cm (17 inch)
7 Spoke Silver

V O L V O